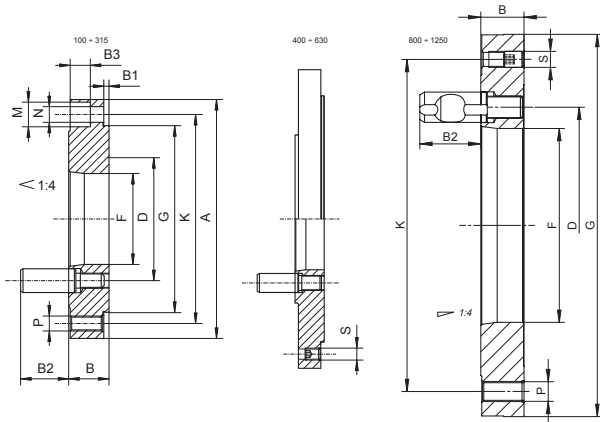


**8240-X**  
TYPE D



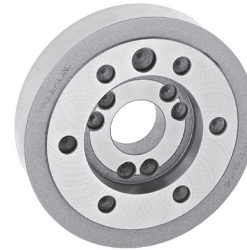
**FULLY-FINISHED ADAPTER PLATES**



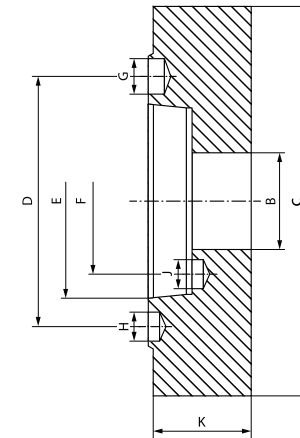
Code No.	W* [in]	Taper Size	A [in]	B [in]	B1 [in]	B2 [in]	D [in]	F [in]	G h6 [in]	K [in]	M [in]	N [in]	P [in]	S [in]	Weight [lbs]
7-878-054F	5"	4	4.92	1.02	0.14	1.27	3.25	2.36	3.74	4.25	3x0.53	3x0.33	6x5/16-18	-	3.53
7-878-063F	6"	3	6.30	1.06	0.14	1.21	2.78	2.02	4.92	5.51	3x0.53	3x0.33	6x3/8-16	-	6.83
7-878-064F	6"	4	6.30	1.06	0.14	1.27	3.25	2.36	4.92	5.51	3x0.53	3x0.33	6x3/8-16	-	6.39
7-878-065F	6"	5	6.30	1.18	0.14	1.50	4.13	3.13	4.92	5.51	3x0.53	3x0.33	6x3/8-16	-	6.61
7-878-083F	8"	3	7.87	1.06	0.14	1.21	2.78	2.02	6.30	6.93	6x0.65	6x0.41	6x3/8-16	-	11.02
7-878-084F	8"	4	7.87	1.06	0.14	1.29	3.25	2.36	6.30	6.93	6x0.65	6x0.41	6x3/8-16	-	10.80
7-878-085F	8"	5	7.87	1.18	0.14	1.50	4.13	3.13	6.30	6.93	6x0.65	6x0.41	6x3/8-16	-	10.58
7-878-086F	8"	6	7.87	1.44	0.14	1.74	5.25	4.06	6.30	6.93	6x0.65	6x0.41	6x3/8-16	-	13.01
7-878-105F	10"	5	9.84	1.18	0.18	1.50	4.13	3.13	7.87	8.82	6x0.75	6x0.51	6x1/2-13	-	18.96
7-878-106F	10"	6	9.84	1.44	0.18	1.74	5.25	4.06	7.87	8.82	6x0.75	6x0.51	6x1/2-13	-	19.18
7-878-108F	10"	8	9.84	1.54	0.18	2.00	6.75	5.36	7.87	8.82	6x0.75	6x0.51	6x1/2-13	-	20.72
7-878-126F	12"	6	12.40	1.54	0.18	1.74	5.25	4.06	10.24	11.26	6x0.98	6x0.67	6x5/8-11	-	38.36
7-878-128F	12"	8	12.40	1.54	0.18	2.00	6.75	5.36	10.24	11.26	6x0.98	6x0.67	6x5/8-11	-	35.05
7-878-129F	12"	11	12.40	1.85	0.18	2.39	9.25	7.59	10.24	11.26	6x0.98	6x0.67	6x5/8-11	-	35.94
7-878-168F	16"	8	15.75	1.54	0.18	2.00	6.75	5.36	12.99	14.25	6x0.98	6x0.67	6x5/8-11 3x5/8-16	60.41	60.41
7-878-169F	16"	11	15.75	1.85	0.18	2.39	9.25	7.59	12.99	14.25	6x0.98	6x0.67	6x5/8-11 3x5/8-16	60.41	60.41
7-878-208F	20"	8	19.69	1.54	0.18	2.00	6.75	5.36	16.54	18.03	6x0.98	6x0.67	6x5/8-11 3x5/8-16	100.09	100.09
7-878-209F	20"	11	19.69	1.85	0.18	2.39	9.25	7.59	16.54	18.03	6x0.98	6x0.67	6x5/8-11 3x5/8-16	98.11	98.11
7-878-259F	25"	11	24.80	1.85	0.24	2.39	9.25	7.59	21.46	23.07	6x0.98	6x0.67	6x5/8-11 3x5/8-16	164.24	164.24
7-878-265F	25"	15	24.80	1.97	0.24	2.74	13.00	11.08	21.46	23.07	6x0.98	6x0.67	6x5/8-11 3x5/8-16	154.98	154.98
7-878-329F	32"	11	-	1.85	-	2.39	9.25	7.59	17.72	14.50	-	-	12x1-8 3x5/8-16	82.23	82.23

W - Chuck diameter

**8212**  
TYPE A



**SEMI-MACHINED ADAPTER PLATES**



- Adapters for plain back self-centering and independent chuck
- Rough on the chuck side

Code No.	W* [in]	Taper Size	B [in]	C [in]	D [in]	E [in]	F [in]	G [in]	H [in]	J [in]	K [in]	Weight [lbs]
7-873-065	6"	5	1.50	6.38	4.13	3.25	2.44	0.64	0.47	0.47	1.38	10.52
7-873-085	8"	5	1.50	8.39	4.13	3.25	2.44	0.64	0.47	0.47	1.38	20.59
7-873-086	8"	6	2.13	8.39	5.25	4.19	3.25	0.77	0.53	0.53	1.52	20.00
7-873-106	10"	6	2.13	10.75	5.25	4.19	3.25	0.77	0.53	0.53	1.52	34.87
7-873-108	10"	8	3.15	10.75	6.75	5.50	4.37	0.95	0.67	0.67	1.79	38.35
7-873-126	12"	6	2.13	12.52	5.25	4.19	3.25	0.77	0.53	0.53	1.52	48.42
7-873-128	12"	8	3.15	12.52	6.75	5.50	4.37	0.95	0.67	0.67	1.79	54.43
7-873-129	12"	11	5.12	12.52	9.25	7.75	6.51	1.16	0.79	0.79	2.09	54.36
7-873-168	16"	8	3.15	15.94	6.75	5.50	4.37	0.95	0.67	0.67	1.79	92.47
7-873-169	16"	11	5.12	15.94	9.25	7.75	6.50	1.16	0.79	0.79	2.09	97.75
7-873-165	16"	15	8.11	15.94	13.00	11.25	9.75	1.41	0.91	0.91	2.40	89.10

W - Chuck diameter