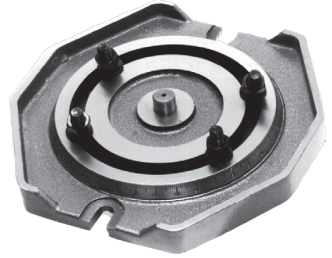
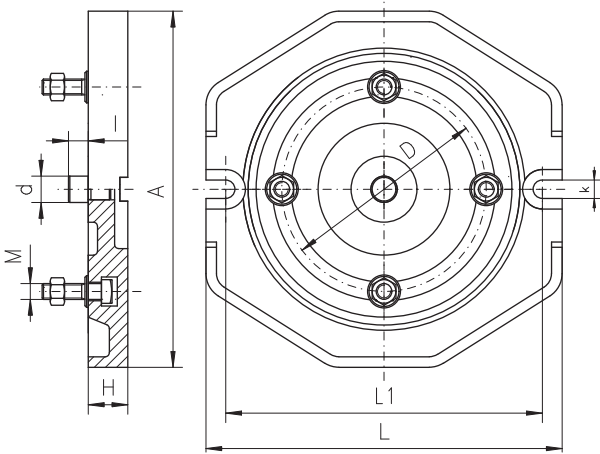


1
2
3
4
5

6585

SWIVEL BASE FOR MACHINE VISES

- Features:**
- Sturdy cast iron design
 - Ground contact edge
 - Locating pin of high-quality steel, hardened and ground
 - Fixing screws

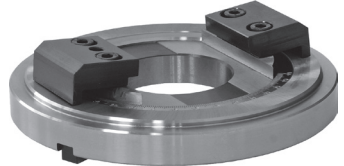
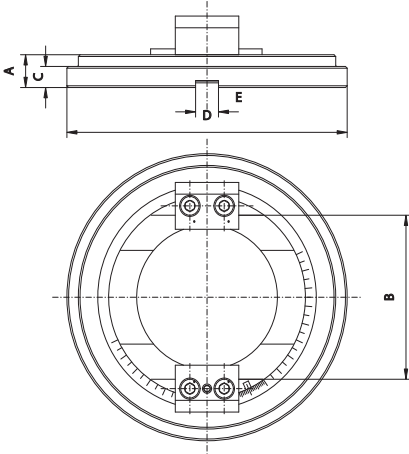


Code No.	Size	A	D	H	L	L1	M	d	I	k	Weight	For Type 6516
		[mm]										
7-251-905	2	270	155	30	270	240	M12	20	20	14	17.8	125
7-251-906	3	325	200	34	325	295	M12	30	20	18	35.2	160
7-251-908	4	380	250	45	380	346	M16	30	20	18	61.4	200

6586

SWIVEL BASE FOR PRECISION VISES

- Features:**
- Sturdy iron design
 - Graduation



Code No.	Size	A	B	D	C	E	Weight	For Type 6577, 6578, 6620, 6621
		[mm]						
7-223-540	1	23	85	190	13	12	8.8	100/320
7-223-550	2	23	105	210	15	12	13.2	125/335
7-223-560	3	28	140	245	18	20	19.8	150/425 150/475 150/520
7-223-580	4	30	165	280	20	20	24.2	200/535 200/585 200/635