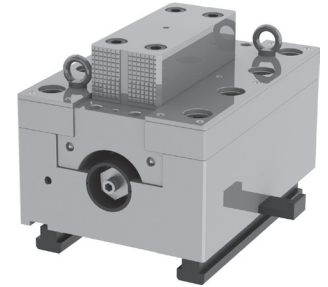
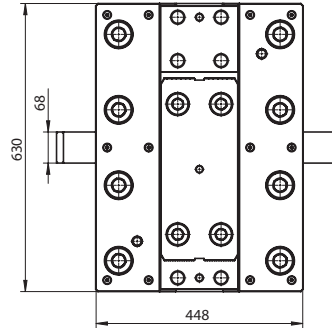
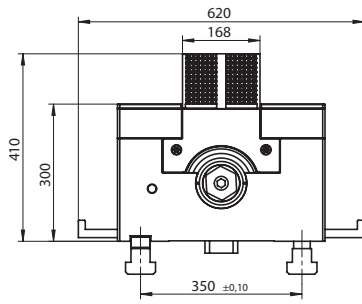




9171 MSPD

**BOX JAWS WITH JAKOB®
POWER-CLAMPING MSPD SCREWS**

- Increased Clamping force up to 400kN
- Steel body, hardened and ground guideways
- Hardened clamping jaws HRC 57÷60
- High clamping force obtained with operator minimum effort
- Used in turning, drilling, reaming and milling of irregular shaped workpieces
- Primarily suited for integration with face plates



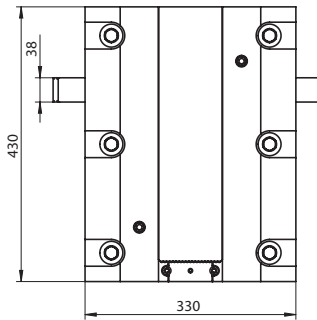
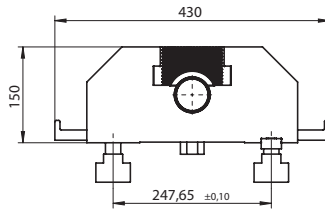
* Width x height x length

Code No.	Type	Clamping force [kN]	Weight of 1 box jaw [lbs]	Slot nut dimensions* [mm]
7-643-2500	9171-630-40T MSPD	400	1,554.26	42 x 24 x 110

9171 MSP

**BOX JAWS WITH JAKOB®
POWER-CLAMPING MSP SCREWS**

- Increased clamping force up to 200kN
- Steel body, hardened and ground guideways
- Hardened clamping jaws HRC 57÷60
- High clamping force obtained with operator minimum effort
- Used in turning, drilling, reaming and milling of irregular shaped workpieces
- Primarily suited for integration with face plates



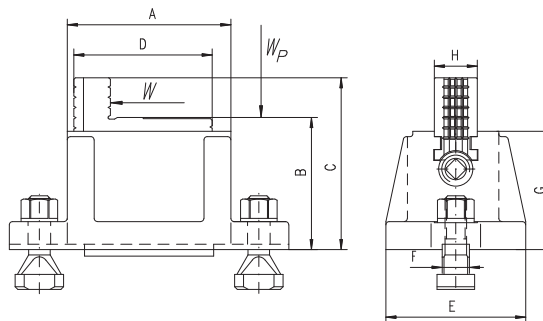
* Width x height x length

Code No.	Type	Clamping force [kN]	Weight of 1 box jaw [lbs]	Slot nut dimensions* [mm]
7-643-1700	9171-430-20T MSP	200	361.56	31.75 x 16 x 88

9170

SET OF 4 BOX JAWS

- Cast iron body, hardened and ground guideways
- Hardened reversible clamping jaws HRC 57÷60
- Used in turning, drilling, reaming and milling of irregular shaped workpieces
- Primarily suited for integration with face plates



Code No.	Type	A	B	C	D	E	F	G	H	Clamping force	Max load		Weight of 1 box jaw	
											W	W _p		
											[mm]	[kN]	[lbs]	[lbs]
7-645-006	9170-150	152	122.8	159.8	127	130	25.4	110	40	28	6,985	13,970	27.56	
7-645-008	9170-200	200	132	169.8	150	140	25.4	110	52	35	8,976	17,952	34.83	