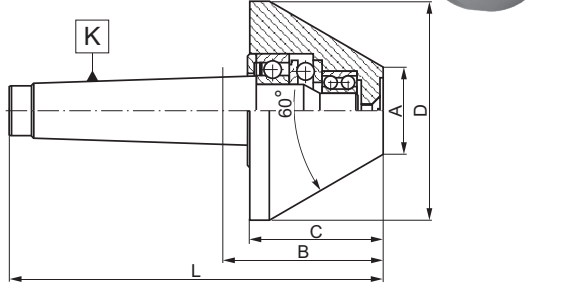


## 8825

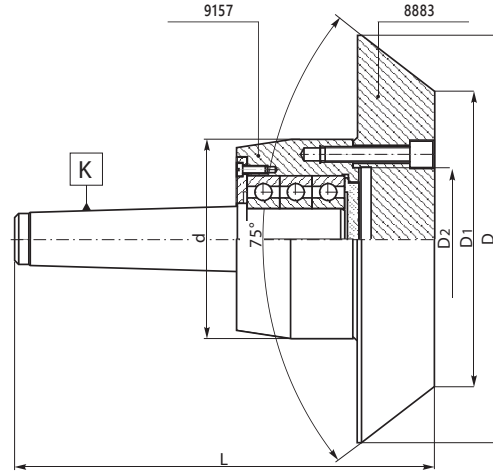
■ Bull nose revolving centers with 60° truncated point



Size	K MT	Max. weight [lbs]	RPM	Max. concentr. error [in]	Code No.	A [in]	B [in]	C [in]	D [in]	L [in]
1	1	220	5,000	0.0003	7-575-010	0.79	1.59	1.38	1.97	3.70
2	2	396	5,000	0.0003	7-575-020	1.18	1.63	1.38	2.36	4.15
2-1	2	660	4,500	0.0003	7-575-021	1.18	2.32	2.09	3.15	4.84
3	3	770	4,500	0.0003	7-575-030	1.18	2.32	2.09	3.15	5.51
3-1	3	1,210	3,000	0.0003	7-575-031	1.57	2.64	2.40	3.94	5.83
3-2	3	1,320	3,000	0.0003	7-575-032	1.97	2.99	2.76	4.72	6.18
4	4	1,320	3,000	0.0003	7-575-040	1.57	2.70	2.40	3.94	6.73
4-1	4	1,540	3,000	0.0003	7-575-041	1.97	3.05	2.76	4.72	7.09
4-2	4	1,540	3,000	0.0004	7-575-042	2.76	3.05	2.76	5.51	7.09
5	5	1,650	3,000	0.0004	7-575-050	1.97	3.05	2.76	4.72	8.15
5-1	5	1,650	2,000	0.0008	7-575-051	3.94	3.05	2.76	6.69	8.15
6	6	4,400	1,000	0.0020	7-575-060	7.09	4.57	4.21	11.50	11.73

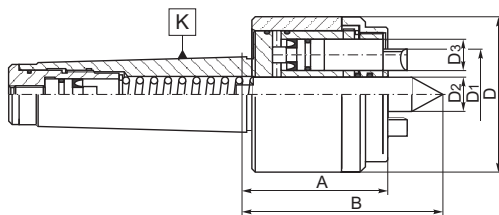
## 8882

■ Pipe revolving centers with 75° truncated point and interchangeable inserts



## 8410

■ Hydraulic face drivers



Code No.	D <sub>1</sub> [in]	K MT	D [in]	D <sub>2</sub> [in]	D <sub>3</sub> [in]	A [in]	B [in]	Max. concentr. error [in]	Max. weight [lbs]
7-590-041	1.06	4	2.68	0.47	0.47	2.52	3.15	0.0008	121
7-590-051	1.06	5	2.68	0.47	0.47	2.52	3.15	0.0008	121
7-590-043	1.57	4	3.19	0.55	0.47	2.64	3.31	0.0008	143
7-590-053	1.57	5	3.19	0.55	0.47	2.64	3.31	0.0008	143
7-590-054	1.97	5	3.54	0.79	0.71	3.39	4.45	0.0012	220
7-590-055	2.48	5	3.94	0.79	0.71	3.39	4.45	0.0012	220

K MT	d [in]	D [in]	D <sub>1</sub> [in]	D <sub>2</sub> [in]	L [in]	Max. weight [lbs]	RPM	Max. concentr. error [in]	Set	Head Only	Body Only
									Code No.		
3	3.15	5.91	3.74	2.20	7.09	1,540	4,000	0.0020	7-573-3301	7-573-0301	7-573-033
3	3.15	7.87	5.71	2.20	7.09	1,540	4,000	0.0020	7-573-3302	7-573-0302	7-573-033
4	3.94	5.91	3.74	2.76	8.11	2,200	3,500	0.0020	7-573-4401	7-573-0401	7-573-044
4	3.94	7.87	5.71	2.76	8.11	2,200	3,500	0.0020	7-573-4402	7-573-0402	7-573-044
4	3.94	9.84	7.68	2.76	8.11	2,200	3,500	0.0020	7-573-4403	7-573-0403	7-573-044
4	4.92	7.87	5.71	3.74	8.46	3,300	3,200	0.0020	7-573-4502	7-573-0502	7-573-054
4	4.92	9.84	7.68	3.74	8.46	3,300	3,200	0.0020	7-573-4503	7-573-0503	7-573-054
4	4.92	11.81	9.65	3.74	8.46	3,300	3,200	0.0020	7-573-4504	7-573-0504	7-573-054
5	4.92	7.87	5.71	3.74	9.53	3,300	3,200	0.0020	7-573-5502	7-573-0502	7-573-055
5	4.92	9.84	7.68	3.74	9.53	3,300	3,200	0.0020	7-573-5503	7-573-0503	7-573-055
5	4.92	11.81	9.65	3.74	9.53	3,300	3,200	0.0020	7-573-5504	7-573-0504	7-573-055
5	6.30	9.84	7.68	4.92	9.65	3,960	3,000	0.0020	7-573-5601	7-573-0601	7-573-065
5	6.30	11.81	9.65	4.92	9.65	3,960	3,000	0.0020	7-573-5602	7-573-0602	7-573-065